

LISBOA 1400MM

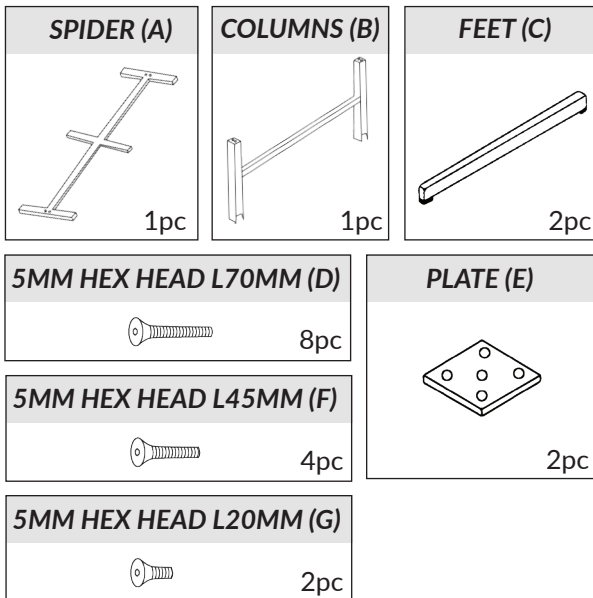
ez ASSEMBLY INSTRUCTIONS

Table Base

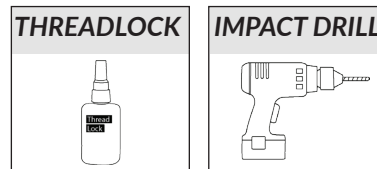


scan me

PARTS:



TOOLS (NOT INCLUDED):

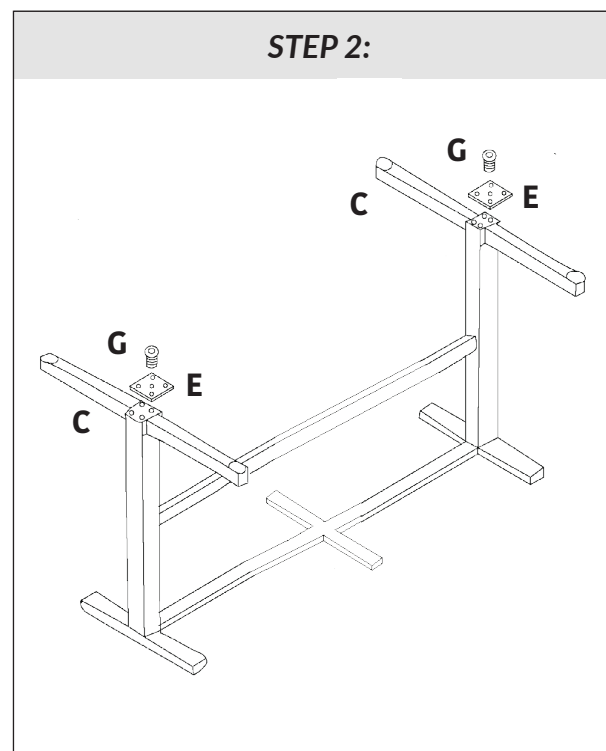
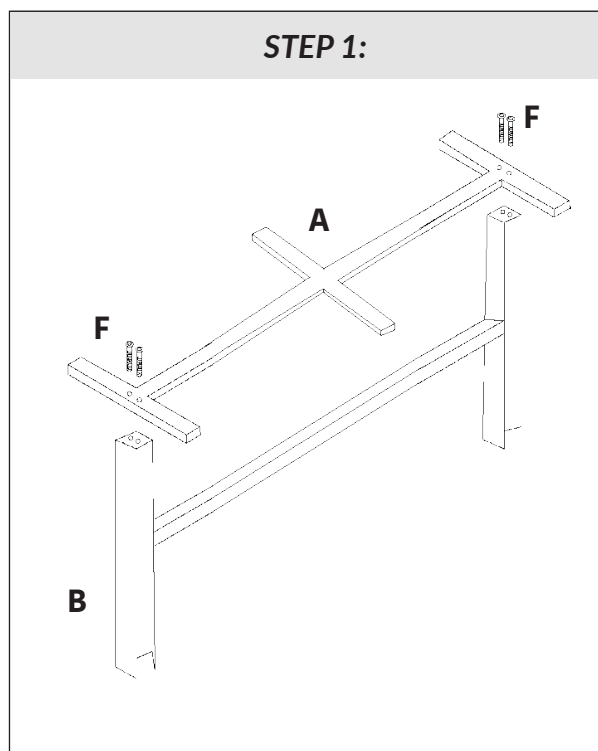


We strongly recommend applying thread lock to the full length of all screws and using an impact drill. Scan the QR code with a phone or tablet to access the assembly video.

WARNING:

Always take care with an impact drill gun, especially when screwing into the spider (cross member).

INSTRUCTIONS:



LISBOA 1400MM

ez ASSEMBLY
INSTRUCTIONS

Table Base

